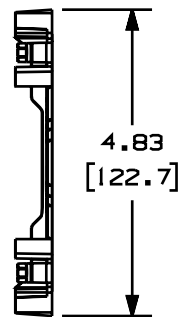
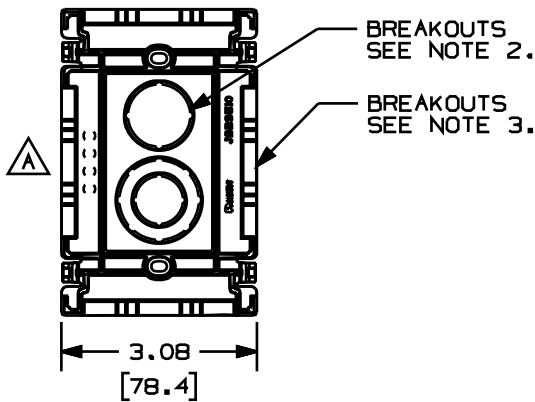
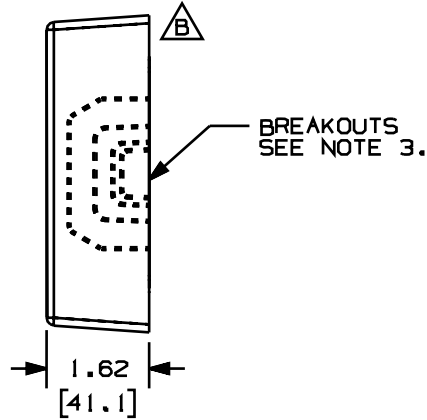
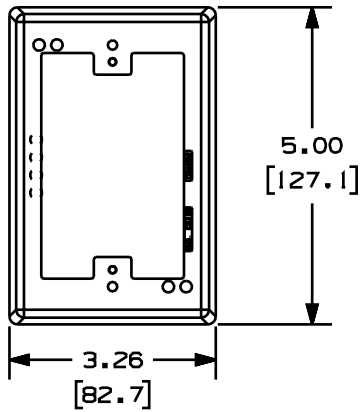


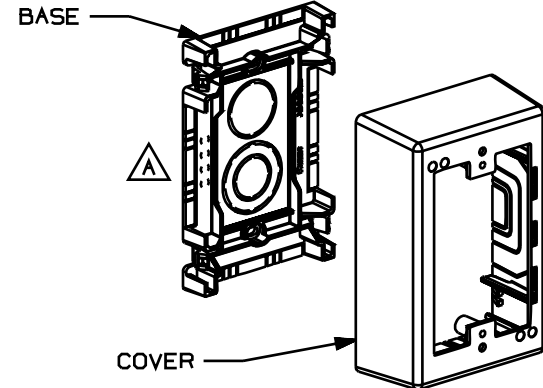
THIS COPY IS PROVIDED ON A RESTRICTED BASIS AND IS NOT TO BE USED IN ANY WAY DETRIMENTAL TO THE INTERESTS OF PANDUIT CORP.



PANDUIT P/N	WEIGHT
JBX3510	2.13 LB/10 PCS. (966g/10 PCS.)

NOTES:

- SEE CURRENT CATALOG FOR ADDITIONAL PART SUFFIXES TO INDICATE COLOR AND OR PACKAGE QUANTITY.
- BREAKOUTS TO ACCOMMODATE CONDUIT SIZES OF 1/2", 3/4", AND 1" DIAMETERS.
- BREAKOUTS ARE PROVIDED FOR PD, LD, LDP, LDS, AND T-45 RACEWAYS.
- COVER IS EXTENDED OUT AND DOWN AROUND SIDES OF BASE WHEN ASSEMBLED.
- DIMENSIONS IN PARENTHESIS ARE METRIC.



CAD FILENAME: LAYERS D37031AD_DC_JBX3510_01B.prt

PANDUIT CORP. TINLEY PARK, ILLINOIS
1 GANG LOW VOLTAGE JUNCTION BOX (JBX3510)
 CUSTOMER DRAWING

REV	DATE	BY	CHK	DESCRIPTION	ECN	CHK	CUST	SUP
2	10-29-01	JBN	RGRO	E. POLYSTYRENE WAS N/A	37031-05	RGRO	RGRO	
-	--	--	D. REVISED NOTE #2 AND #3 C. REVISED TOLERANCE WAS .8	--	--	
1	1-16-01	REWERMHI		B. REVISED VIEW TO SHOW BREAKOUTS A. REVISED PART GEOMETRY	37031-05	HIW	HIW	
R	4-17-00	MSO	JAWA	RELEASED TO PRODUCTION	37031-05	HIW	HIW	

UNLESS OTHERWISE SPECIFIED, DIMENSIONAL TOLERANCES ARE:		UNLESS OTHERWISE SPECIFIED, ALL DIMENSIONS ARE GIVEN IN INCHES, THIRD ANGLE PROJECTION.
1.X1 ±	1.XXX1 ±	
1.XX1 ±	0.031.81 ANGLES ±	
DRAWN BY MSO	MAT'L POLYSTYRENE	SCALE NONE
DATE 4-17-00	CHECKED BY JAWA	DWG NO. 37031-05
		DWG SIZE A